

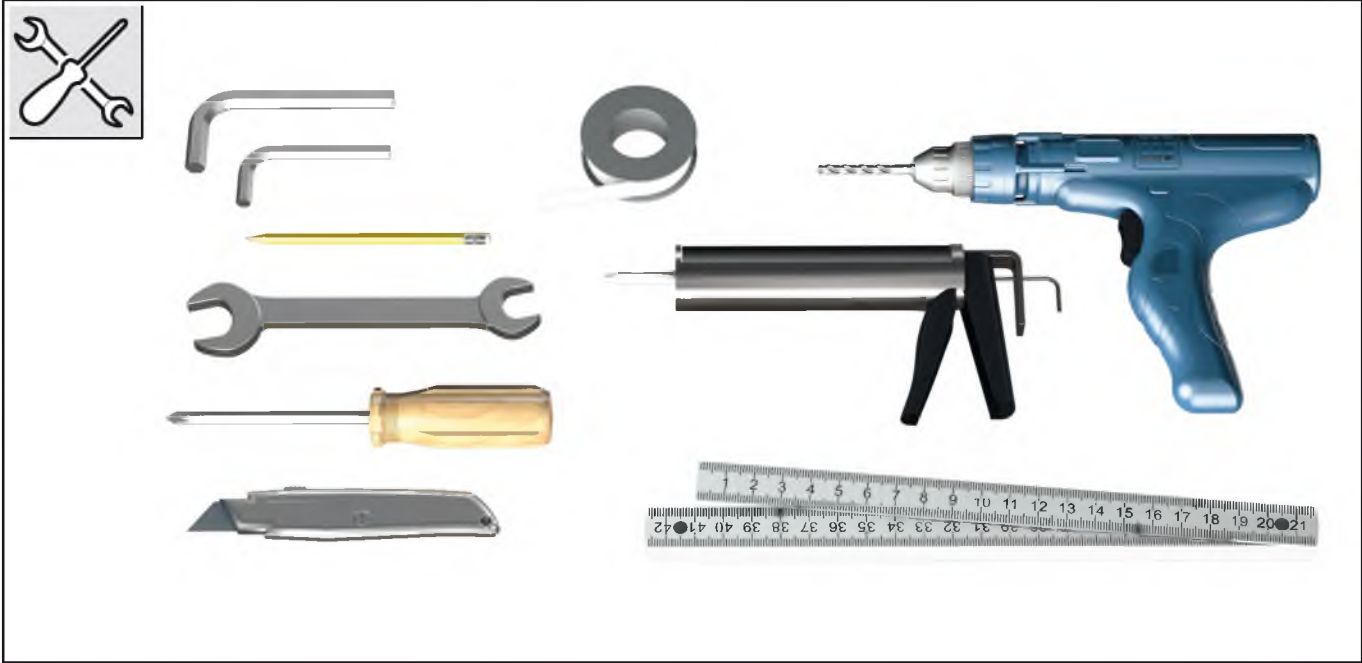
# Concealed Mixer

General  
Instruction  
Villeroy & Boch



- |                                       |                                 |                                 |                                  |
|---------------------------------------|---------------------------------|---------------------------------|----------------------------------|
| <b>DE</b> Montageanleitung            | <b>AR</b> دليل التركيب          | <b>HU</b> Szerelési útmutató    | <b>PT</b> Instruções de montagem |
| <b>ENL</b> Installation instructions  | <b>BG</b> Ръководство за монтаж | <b>ID</b> Petunjuk pemasangan   | <b>RO</b> Manual de montaj       |
| <b>ES</b> Instrucciones de montaje    | <b>CS</b> Návod k montáži       | <b>JA</b> 取付説明書                 | <b>SK</b> Návod na montáž        |
| <b>FR</b> Instructions de montage     | <b>DA</b> Monteringsvejledning  | <b>KO</b> 설치 가이드                | <b>SL</b> Navodila za montažo    |
| <b>IT</b> Istruzioni per il montaggio | <b>EE</b> Paigaldusjuhend       | <b>LT</b> Montavimo instrukcija | <b>SV</b> Monteringsanvisning    |
| <b>NL</b> Montagehandleiding          | <b>EL</b> Οδηγίες τοποθέτησης   | <b>LV</b> Montažas instrukcija  | <b>TH</b> คู่มือการติดตั้ง       |
| <b>RU</b> Инструкция по монтажу       | <b>FI</b> Asennusohje           | <b>NO</b> Monteringsanvisning   | <b>TR</b> Montaj kılavuzu        |
| <b>ZH</b> 安装说明                        | <b>HR</b> Uputa za montažu      | <b>PL</b> Instrukcja montażu    | <b>UK</b> Інструкція з монтажу   |



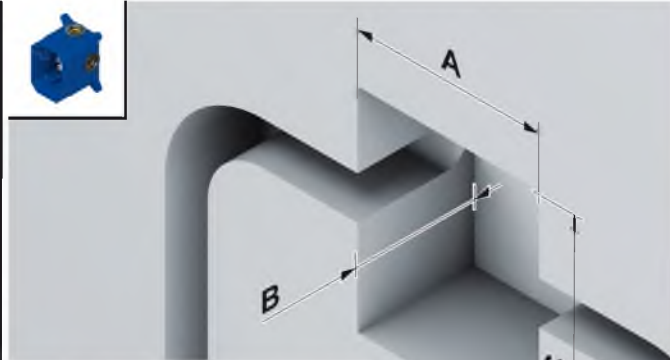


**i**

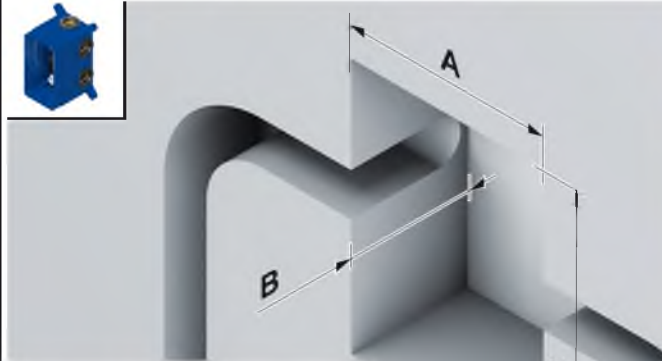
< 1000 kPa (10 bar)

< 80 °C  
< 176 °F

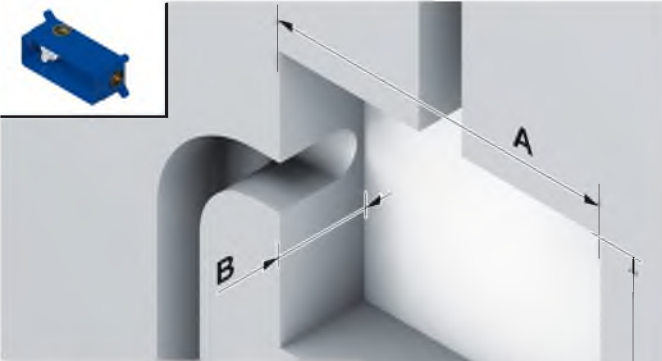
~ 10 °C  
~ 50 °F



	mm	inch
A	170	6 <sup>11</sup> / <sub>16</sub>
B	75 - 101	2 <sup>61</sup> / <sub>64</sub> - 3 <sup>31</sup> / <sub>32</sub>
C	200	7 <sup>7</sup> / <sub>8</sub>

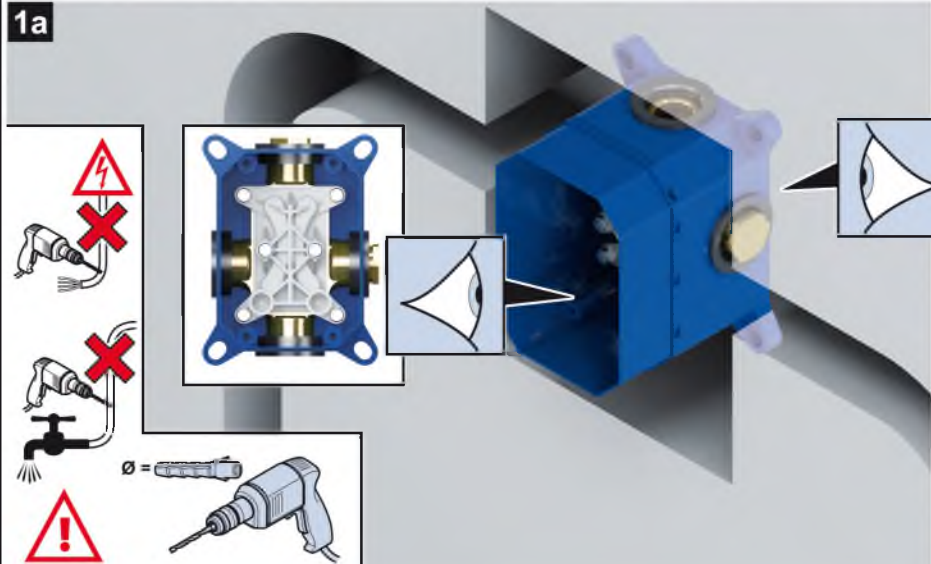


	mm	inch
A	180	7 <sup>3</sup> / <sub>32</sub>
B	84 - 106	3 <sup>5</sup> / <sub>16</sub> - 4 <sup>11</sup> / <sub>64</sub>
C	240	9 <sup>29</sup> / <sub>64</sub>





	mm	inch
A	300	11 <sup>13</sup> / <sub>16</sub>
B	65 - 80	2 <sup>9</sup> / <sub>16</sub> - 3 <sup>5</sup> / <sub>32</sub>
C	170	6 <sup>11</sup> / <sub>16</sub>

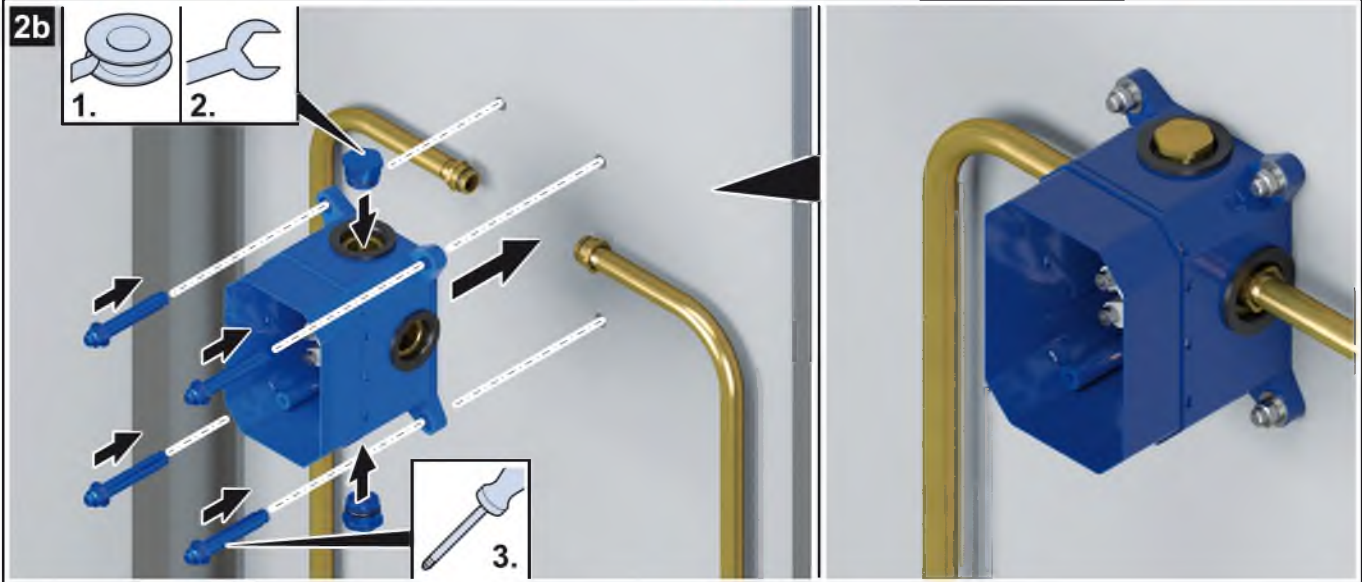
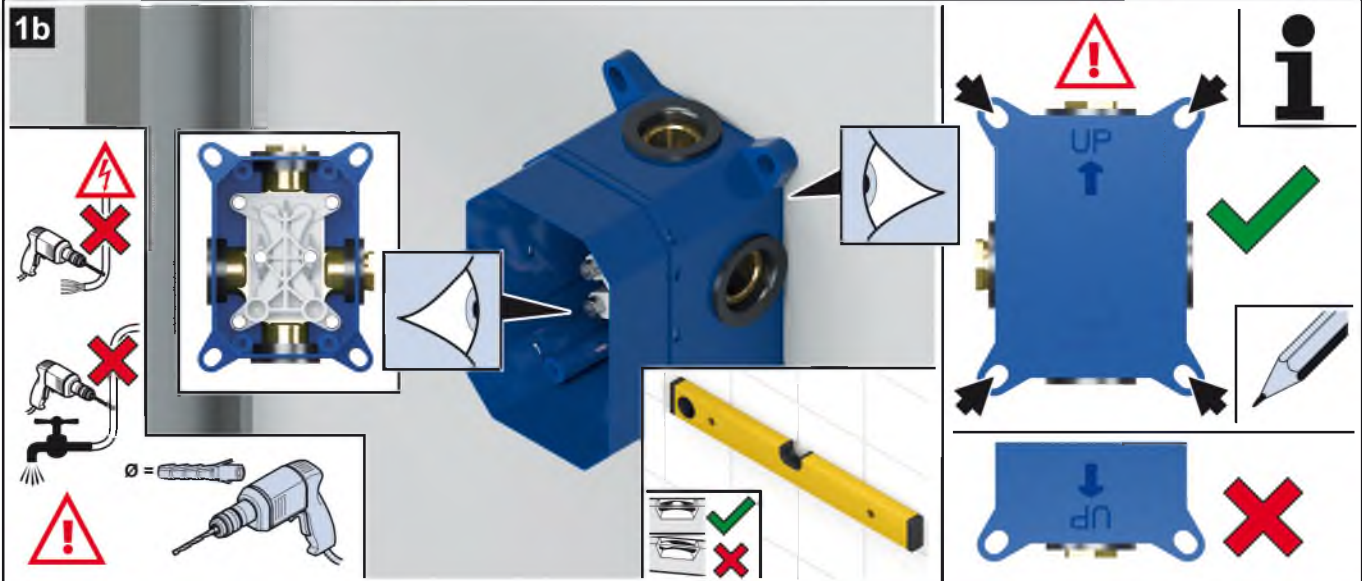
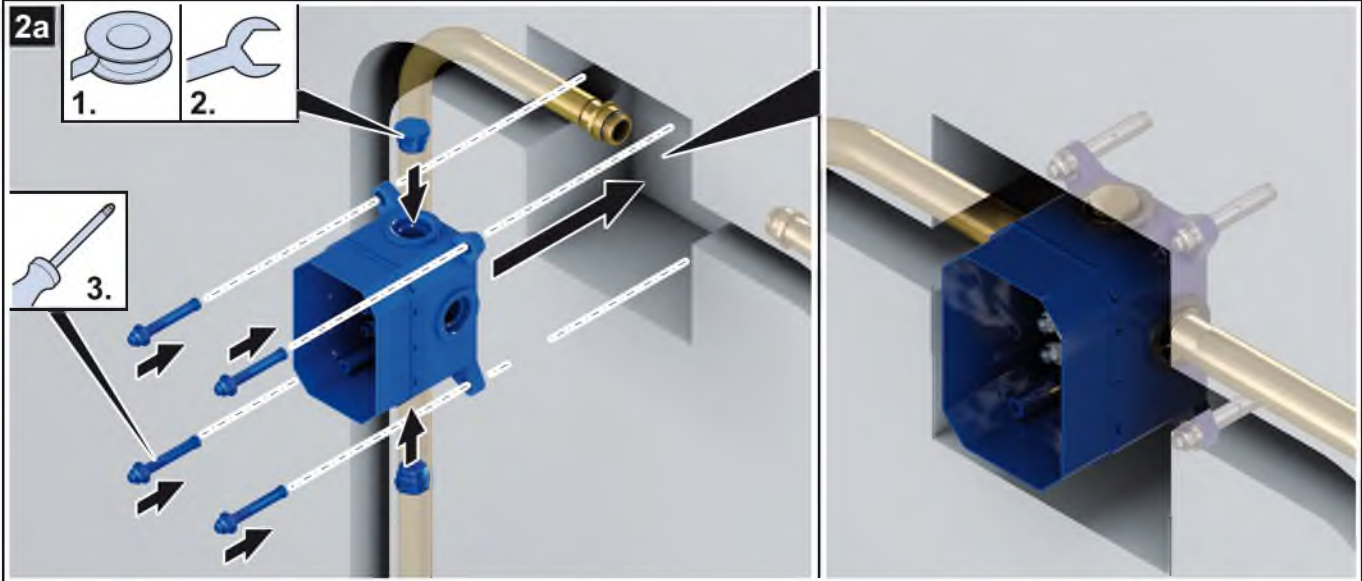
**1a**

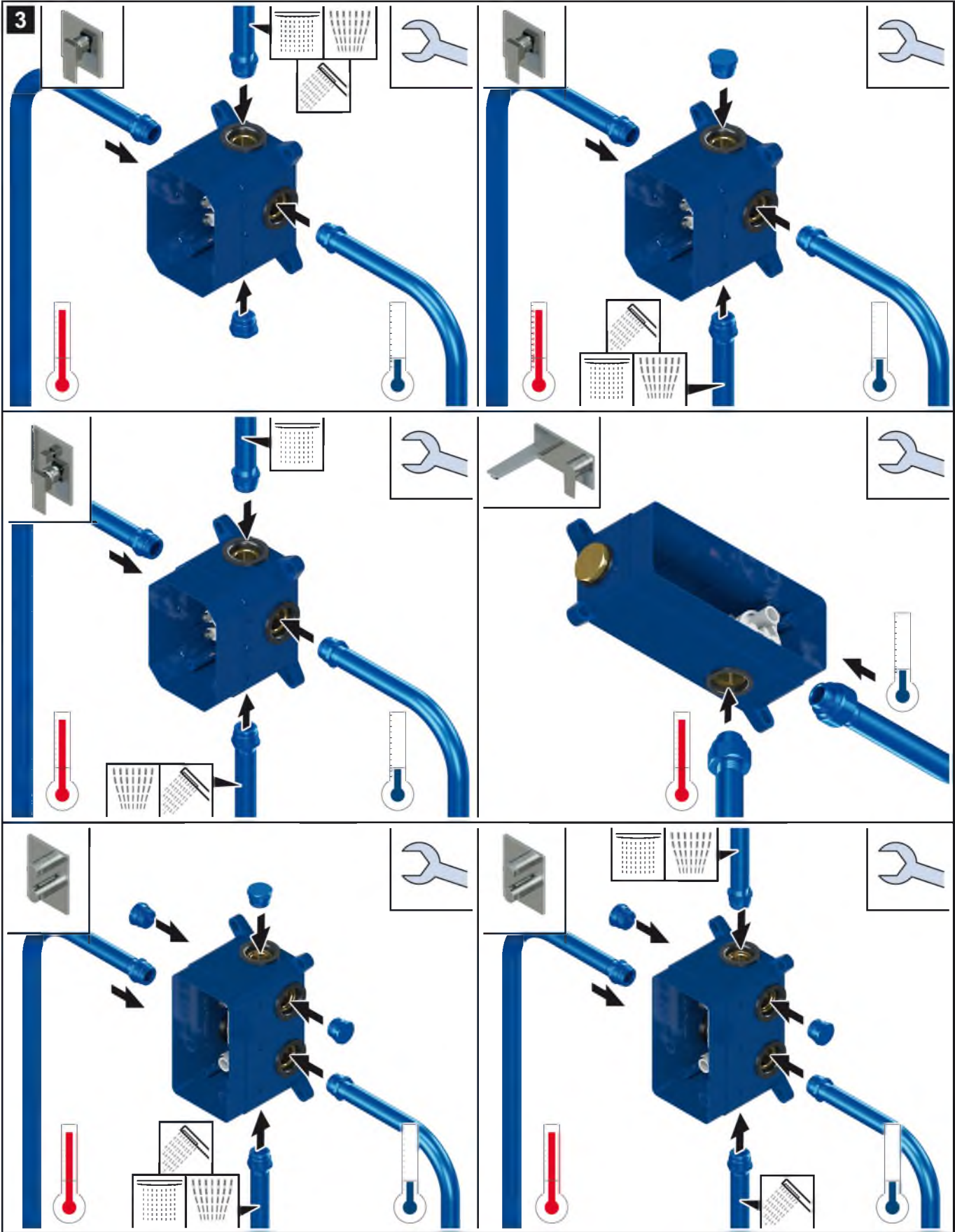


**i**

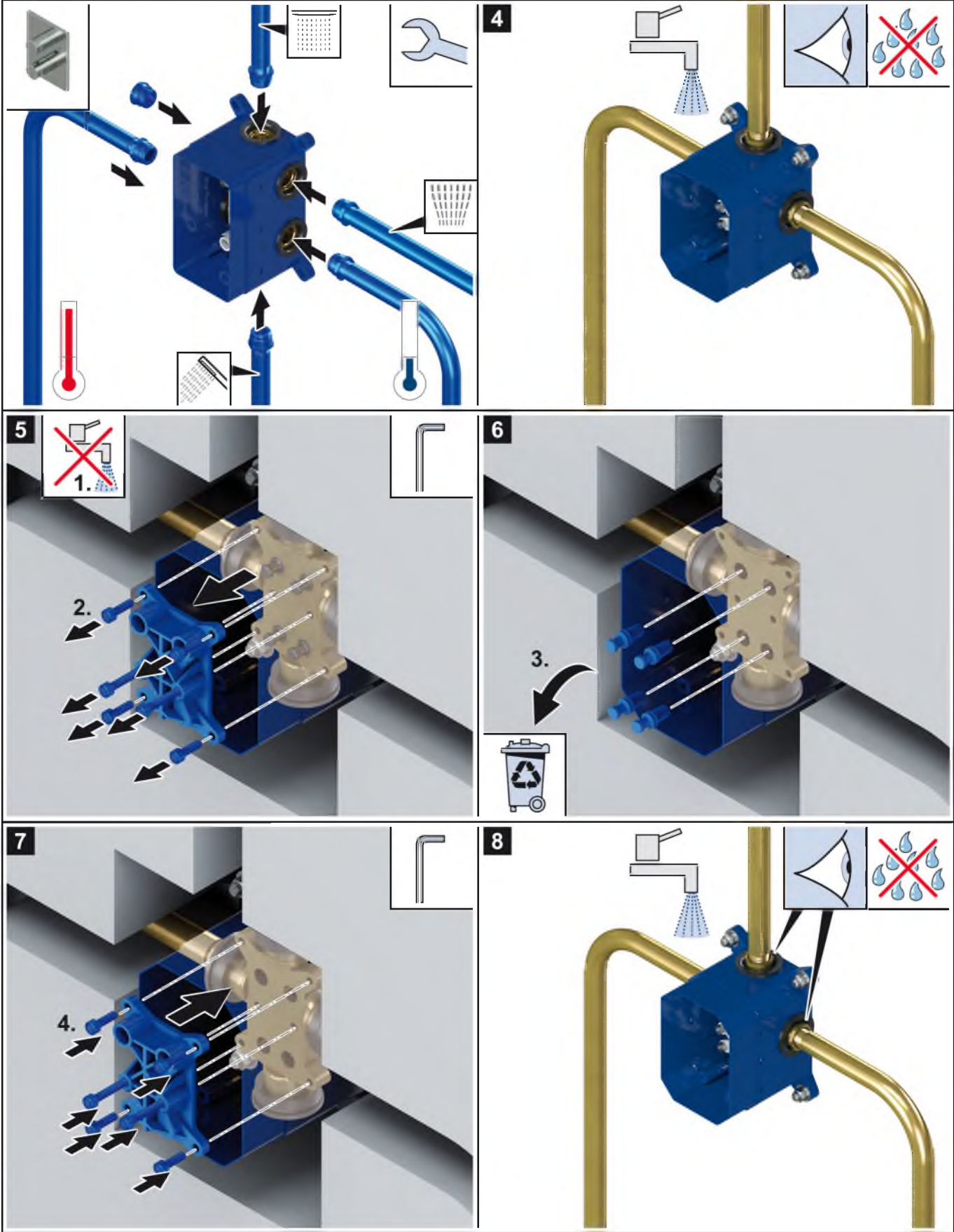



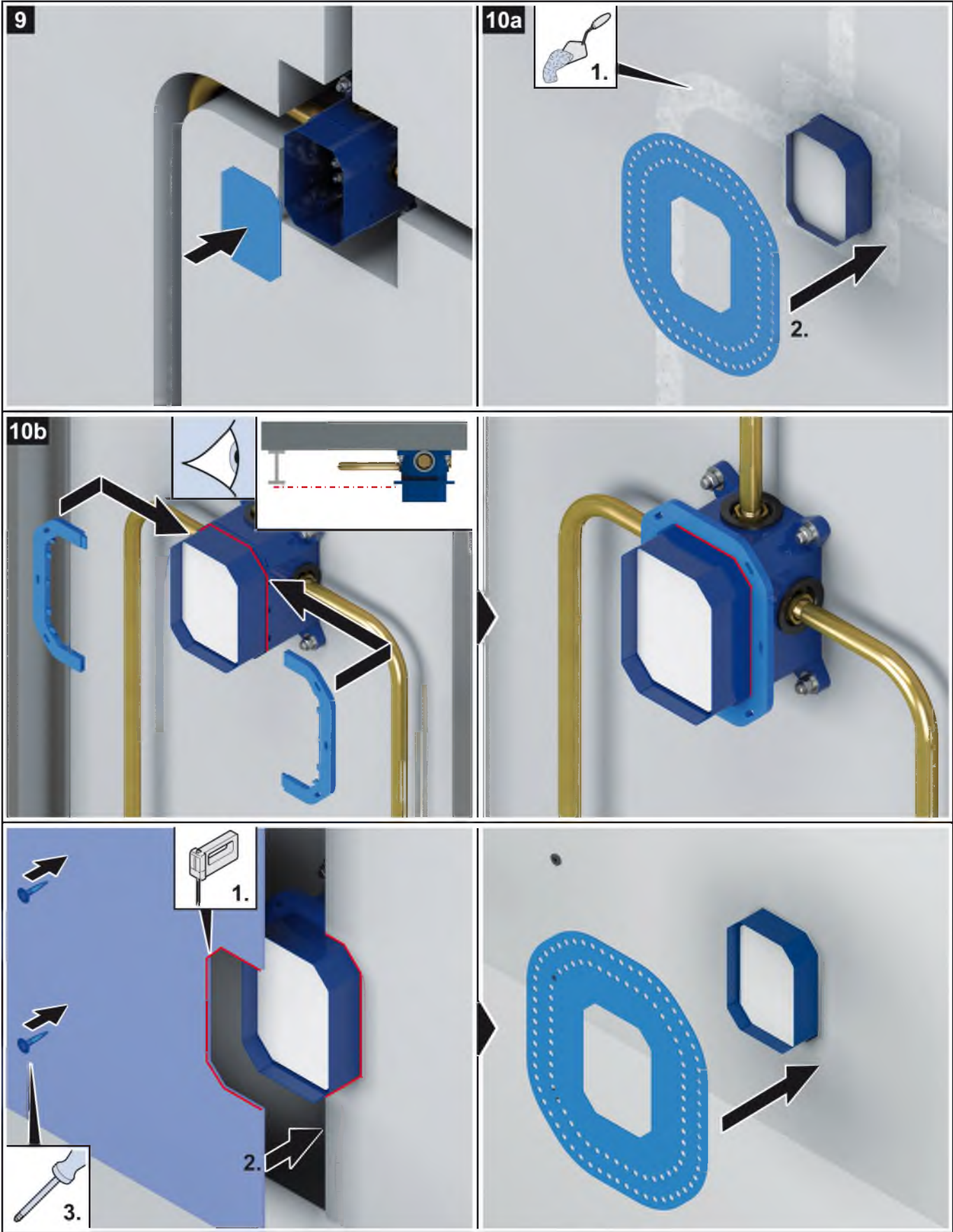




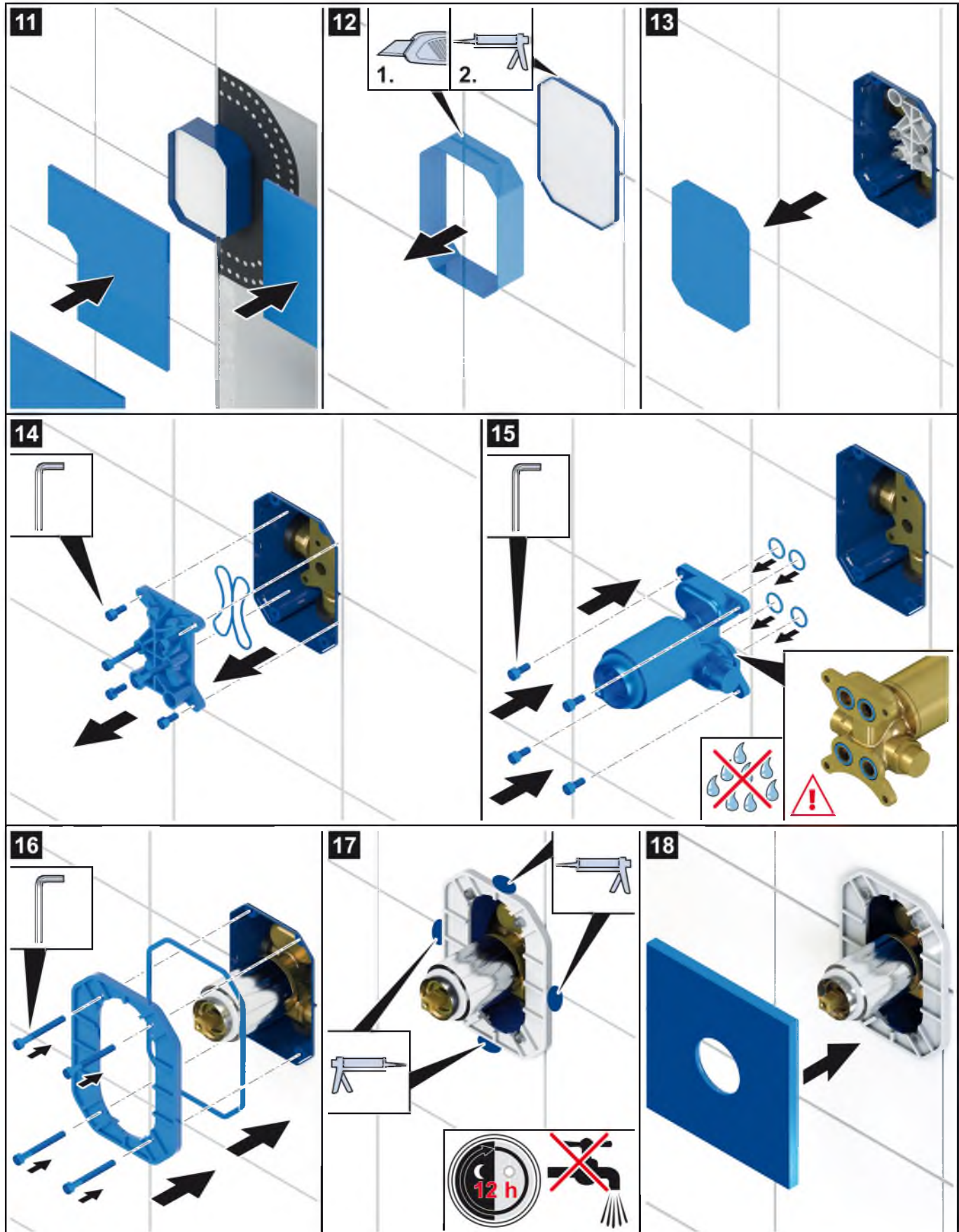






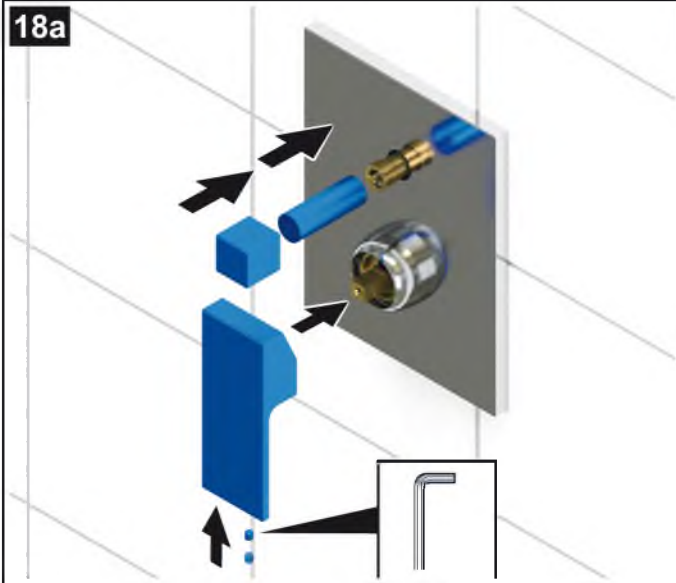




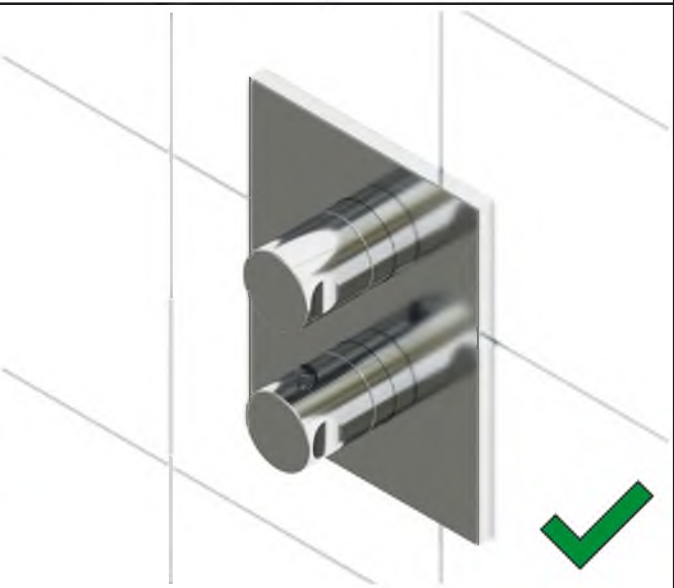
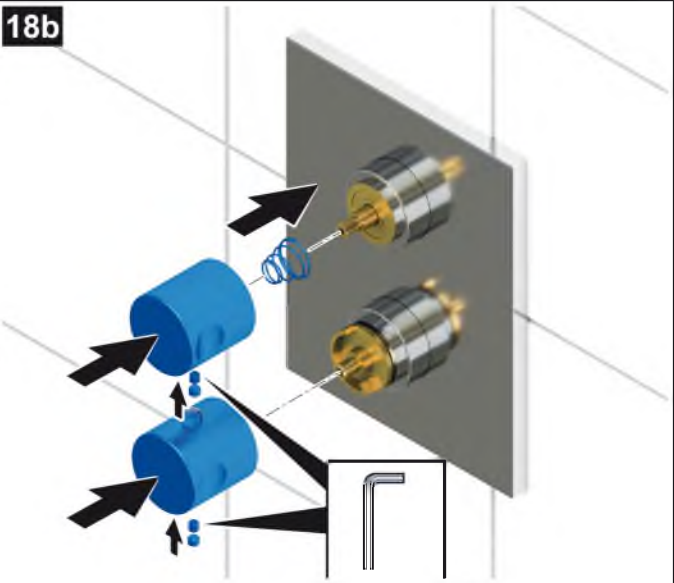


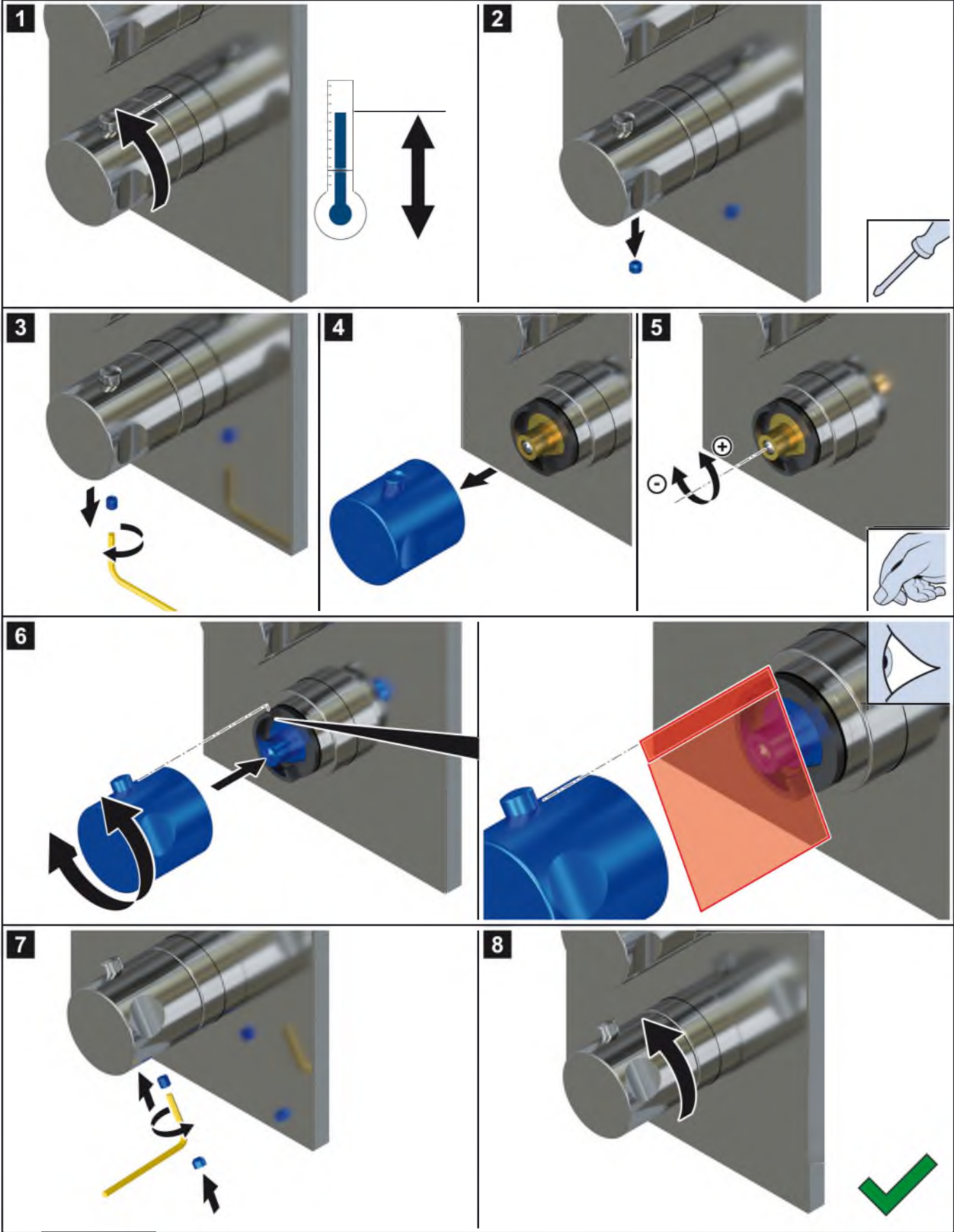


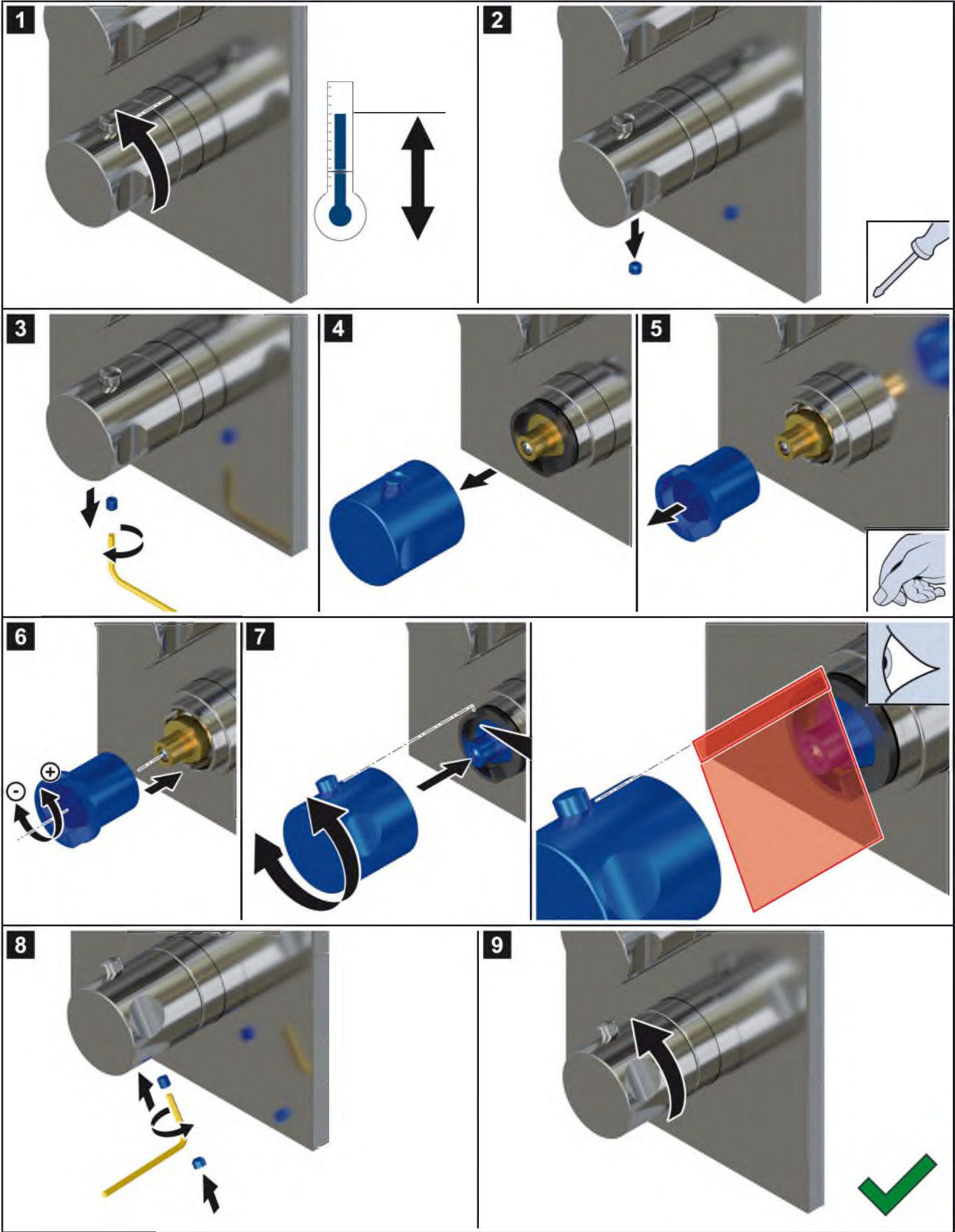
18a



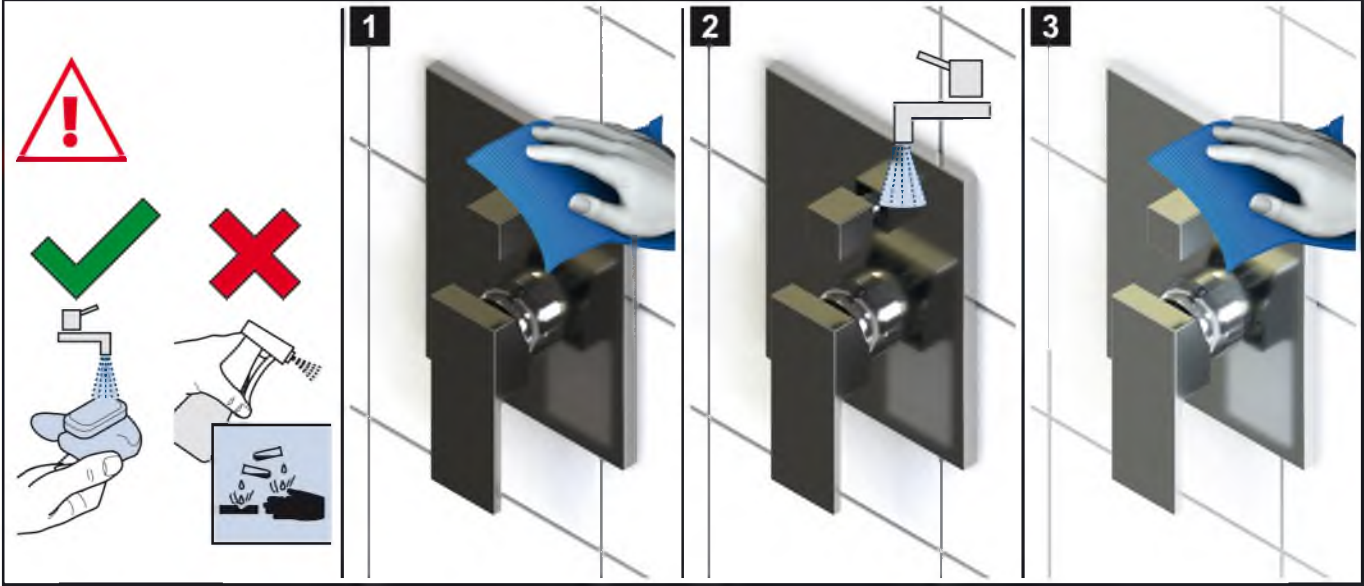
18b









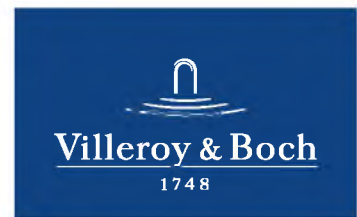












## VILLEROY & BOCH

### GERMANY

*Villeroy & Boch AG  
Bathroom and Wellness Division  
Headquarters  
66693 Mettlach  
Germany*

*Tel: +49 (0) 68 64 / 81 0  
Fax: +49 (0) 68 64 / 81 1484*

921102D7 // 2019

Shades and dimensions subject to the usual tolerances. We reserve the right to make technical modifications to the range and alter colours.

VILLEROY-BOCH.COM