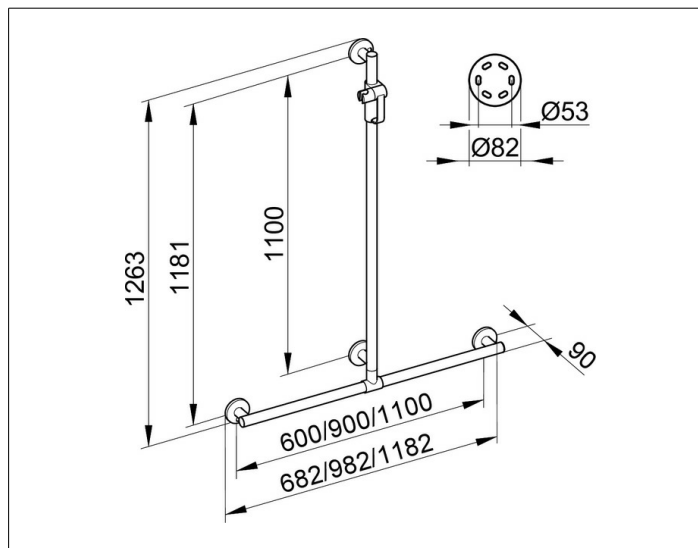


Plan Care**34914171111 Поручень вдоль стены и штанга для душа****ИЗДЕЛИЕ****ЧЕРТЕЖ****ОПИСАНИЕ ИЗДЕЛИЯ**

в комплекте с держателем душевой лейки
устанавливаемая по выбору справа или слева
положение душ.штанги
перед монтажом произвольное

ПОВЕРХНОСТЬ

алюминий анодированный/хром

ГАБАРИТЫ

1182/1263 mm

СПЕЦИФИКАЦИИ

KEUCO PLAN CARE shower rail,
T-Shape,
with Shower rail 34914171111,
aluminium silver anodized,
complete with shower bracket
flexible positioning of sliding rail
prior to final installation
in esthetic, practical and ergonomic Design
as Support help and up to 115 kg load capacity,
anti-static,
easy to clean
Base measurement:
Horizontal 11000 mm, vertical 1100 mm
Pipe diameter 33 mm,
4 Rosettes Diameter 82 mm
Measurements: 1182/1263 mm
Projection 90 mm,
Wall distance 57 mm

May be combined with tip-up seat with backrest
(Art. no. 34981) or spray guard (Art. no. 34940)

Included in delivery:
4 x mounting set1 (Art. no. 34990000100)

Further mounting sets
(depending on type of wall):
4 x mounting set 4 (Art. no. 34990 000200), or
4 x mounting set 7 (Art. no. 34993 000200)
Please order additionally!