

Metris

Single lever basin mixer 200 without waste set

Surfaces: **Chrome** Article Number: **31185000**



Description

product features

- ComfortZone 200
- projection 141 mm
- normal spray
- flow rate at 3 bar: 5 l/min
- ceramic cartridge
- temperature limitation adjustable
- suitable for continuous flow water heaters
- connection type: G 3/8 connections
- connection dimension: DN15

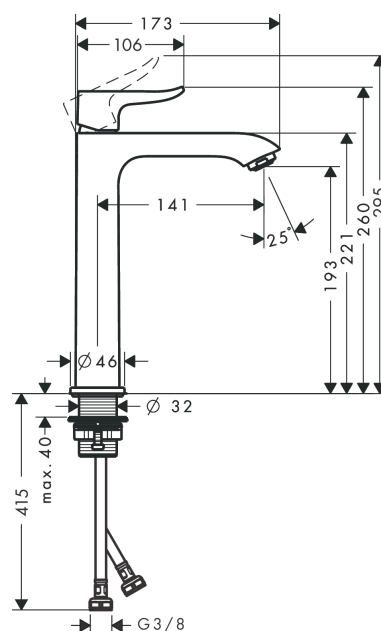
Technology



Product image



Scale drawing



Flowchart

